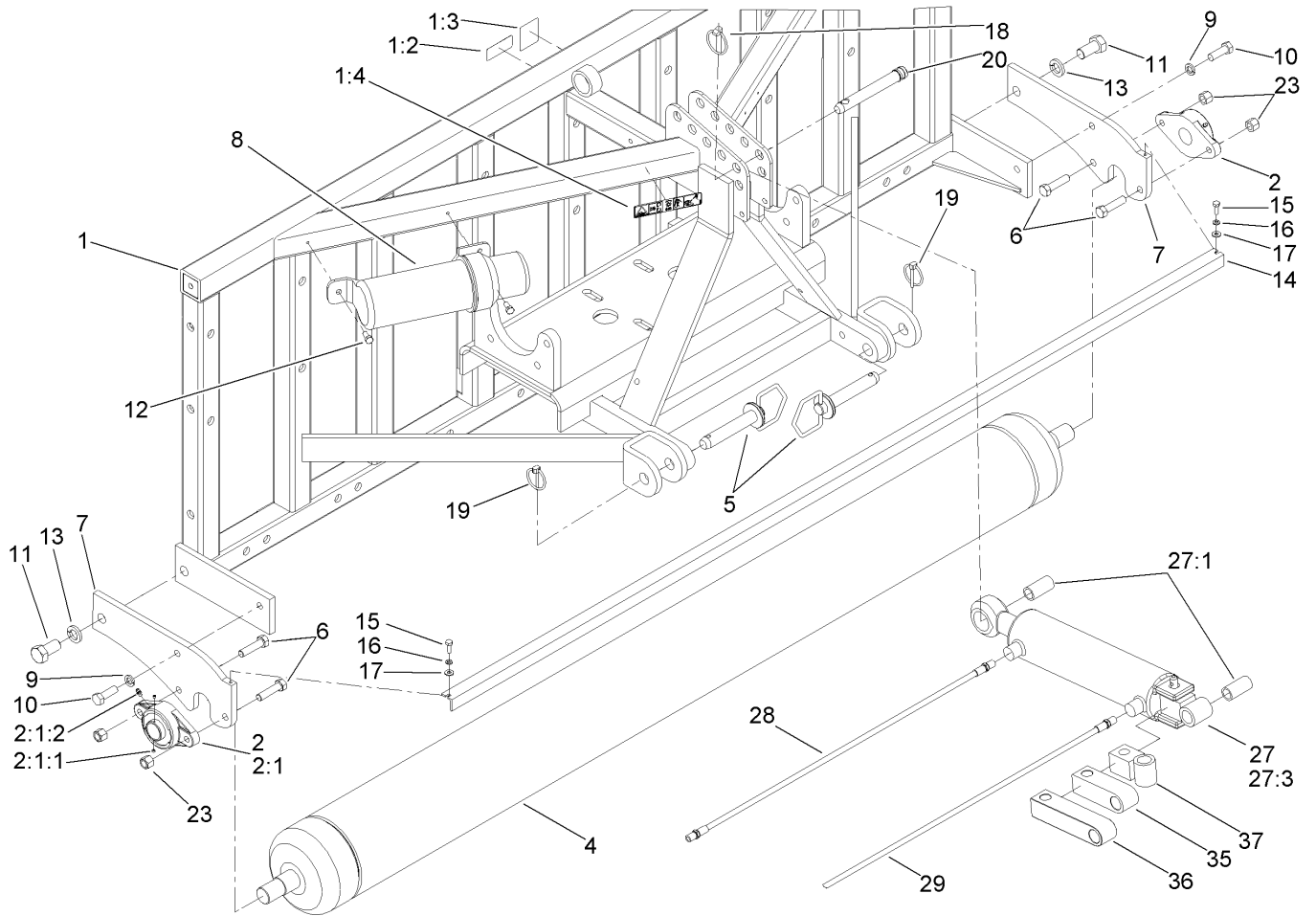


## Drive Assembly

Ref	Part No.	Qty.	Description
1	SG504000-03	1	Gearbox ASM
2	80-6140	2	Key-Square
3	SG517026	2	Gearbox-Sprocket
4	SG527054	2	Sprocket-Hub
4:1	3246-4	1	Screw-Set
5	5-1470	6	Capscrew
6	3253-4	6	Washer-Lock
7	48-9590	4	Washer-Lock
8	33115-020	4	Screw-HH
9	3253-8	4	Washer-Lock
10	33118-030	4	Screw-HH
11	SG580154	2	Chain-60 H, O-Ring
11:1	SG581083	1	Link-Master
12	SG528070	1	PTO #5
13	SG4170401	1	Cone-Shaft
14	3256-24	8	Washer-Flat
15	SG562562	8	Screw-HH
16	99-4371	8	Nut-Lock
17	117-7081-03	2	Angle-Mounting
18	117-7139-03	1	Stand-Storage, LH
19	117-7138-03	1	Stand-Storage, RH
20	323-6	4	Screw-HH
21	3253-21	2	Washer-Lock

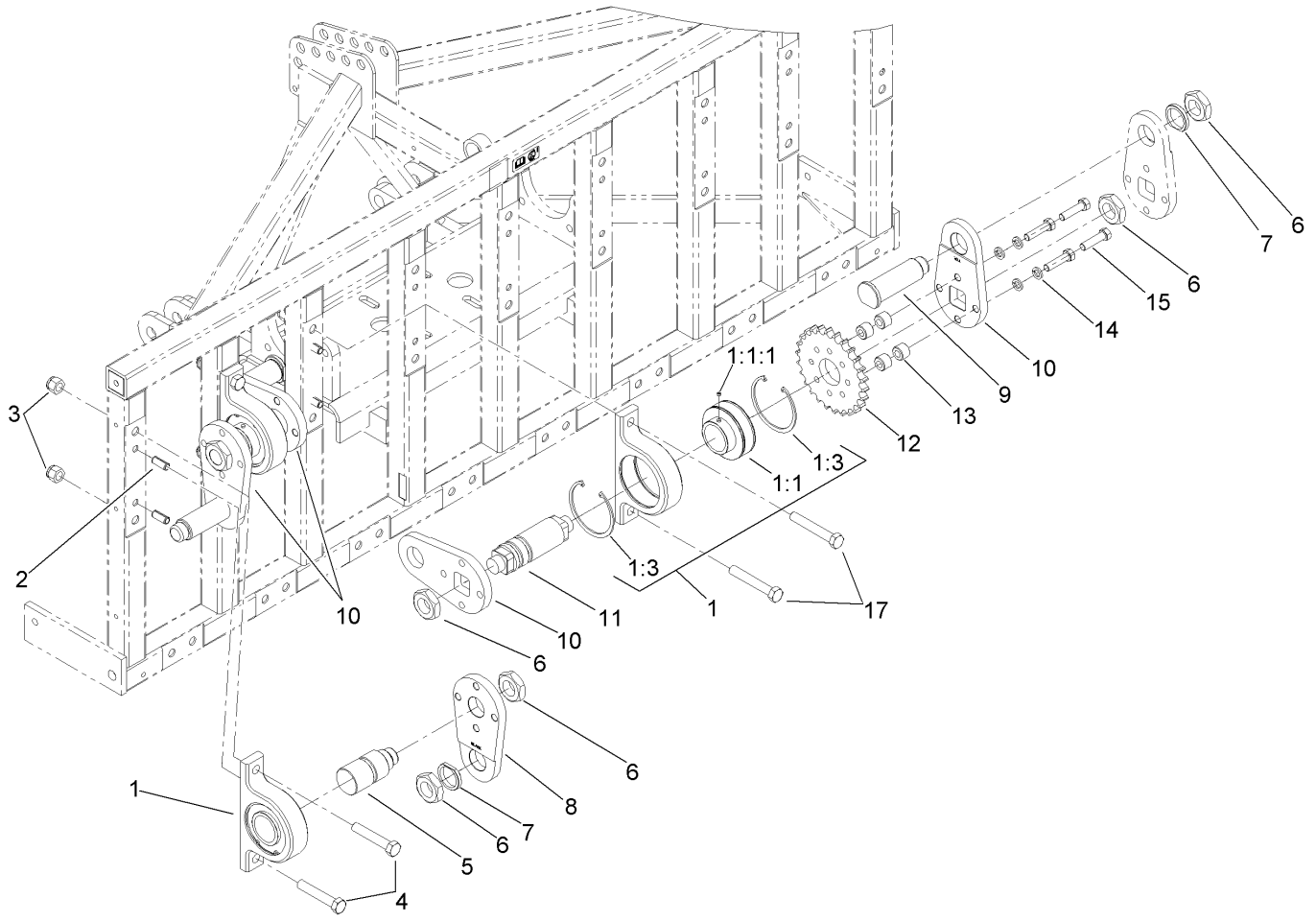
Ref	Part No.	Qty.	Description
22	3296-39	2	Nut-Lock, NI



## Frame and Roller Assembly

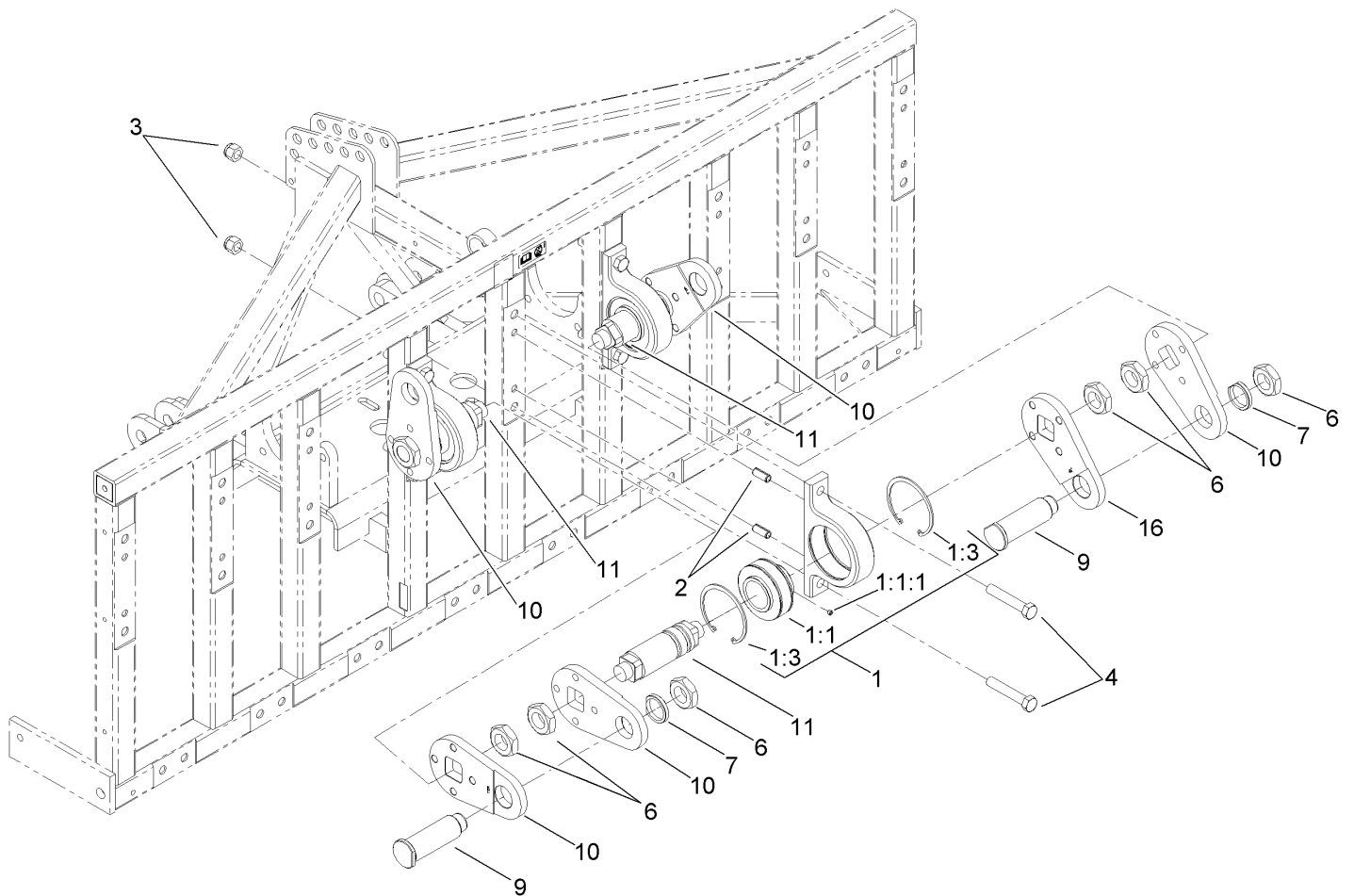
Ref	Part No.	Qty.	Description
1	117-7103	1	Frame ASM
1:2	117-7052	1	Decal-No Oil
1:3	100-3612	2	Decal-Warning
1:4	110-4668	1	Decal-Warning, PTO
2	SG637070-03	2	Bearing-Roller
2:1		1	Bearing-Flange
2:1:1	3245-35	2	Screw-Set
2:1:2	302-19	1	Fitting-Grease
4	SG627070-03	1	Roller-Main, Large
5	SG715875	2	Pin-Hitch
6	SG271517	4	Screw-HH
7	SG639072-01	2	Boot-Roller, Single
8	SG999018	1	Canister-Manual, Operators
9	3253-7	2	Washer-Lock
10	325-6	2	Screw-HH
11	328-26	2	Screw-HH
12	322-3	2	Screw-HH
13	3253-9	2	Washer-Lock
14	SG678970-03	1	Angle-Scraper
15	321-4	2	Screw-HH
16	3253-3	2	Washer-Lock

Ref	Part No.	Qty.	Description
17	3256-22	2	Washer-Flat
18	100-5389	1	Pin-Lynch
19	92-1298	2	Pin-Lynch
20	SG715450	1	Pin-Link, Top
23	3296-23	4	Nut-Lock, NI
27	SG715010	1	HYD Cylinder ASM
27:1	SG555013	2	Bushing
27:3		1	Cylinder-Hydraulic
27:3:1	117-7175	1	Seal Kit
28	SG795250	1	Hose ASM (Long)
29	SG795245	1	Hose ASM (Short)
35	SG795554-03	1	Extension-Adapter 3.50"
36	SG795551-03	1	Extension-Adapter 5.50"
37	117-7124-03	1	Mount-Adapter, 90 DEG



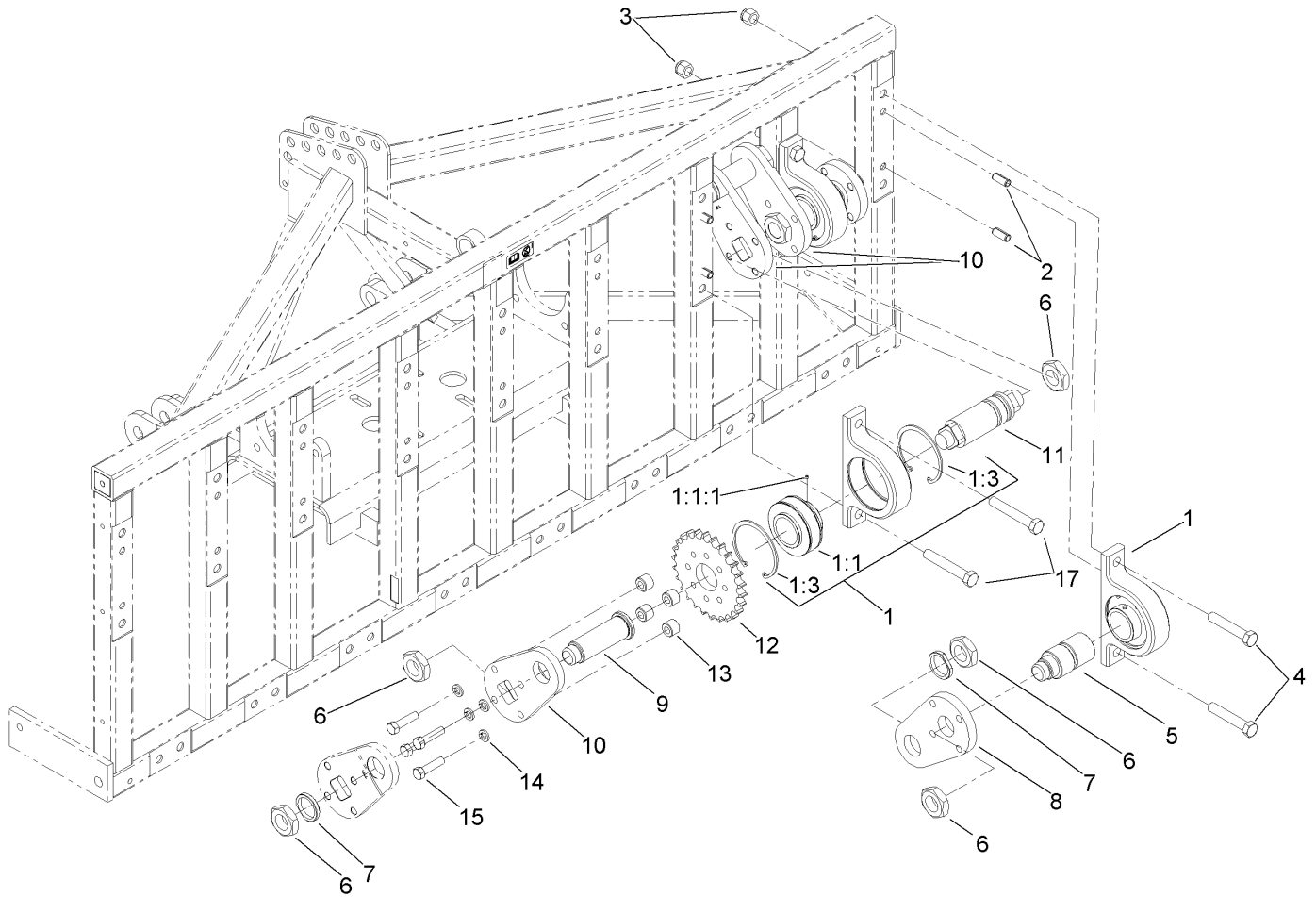
## LH Crankshaft Assembly

Ref	Part No.	Qty.	Description
1	SG204577	3	Bearing ASM
② 1:1		1	Bearing-Ball
1:1:1	99-0195	2	Screw-Set, HSH
1:3	SG427540	2	Ring-Snap
2	105-1041	6	Pin-Spring
3	3296-53	6	Nut-Lock, NI
4	327-14	4	Screw-HH
5	SG217557	1	Shaft-Stub, Outside
6	SG267200	8	Nut-Hex
7	SG247540	3	Washer-Clipped
8	SG207054	1	Arm-Crank
9	SG257054	3	Pin-Crank
10	SG217054	4	Arm-Crank
11	SG217354	2	Crankshaft
12	SG217026	1	Sprocket-Crank
13	SG267500	4	Spacer
14	3253-7	4	Washer-Lock
15	SG271517	4	Screw-HH
17	327-16	2	Screw-HH

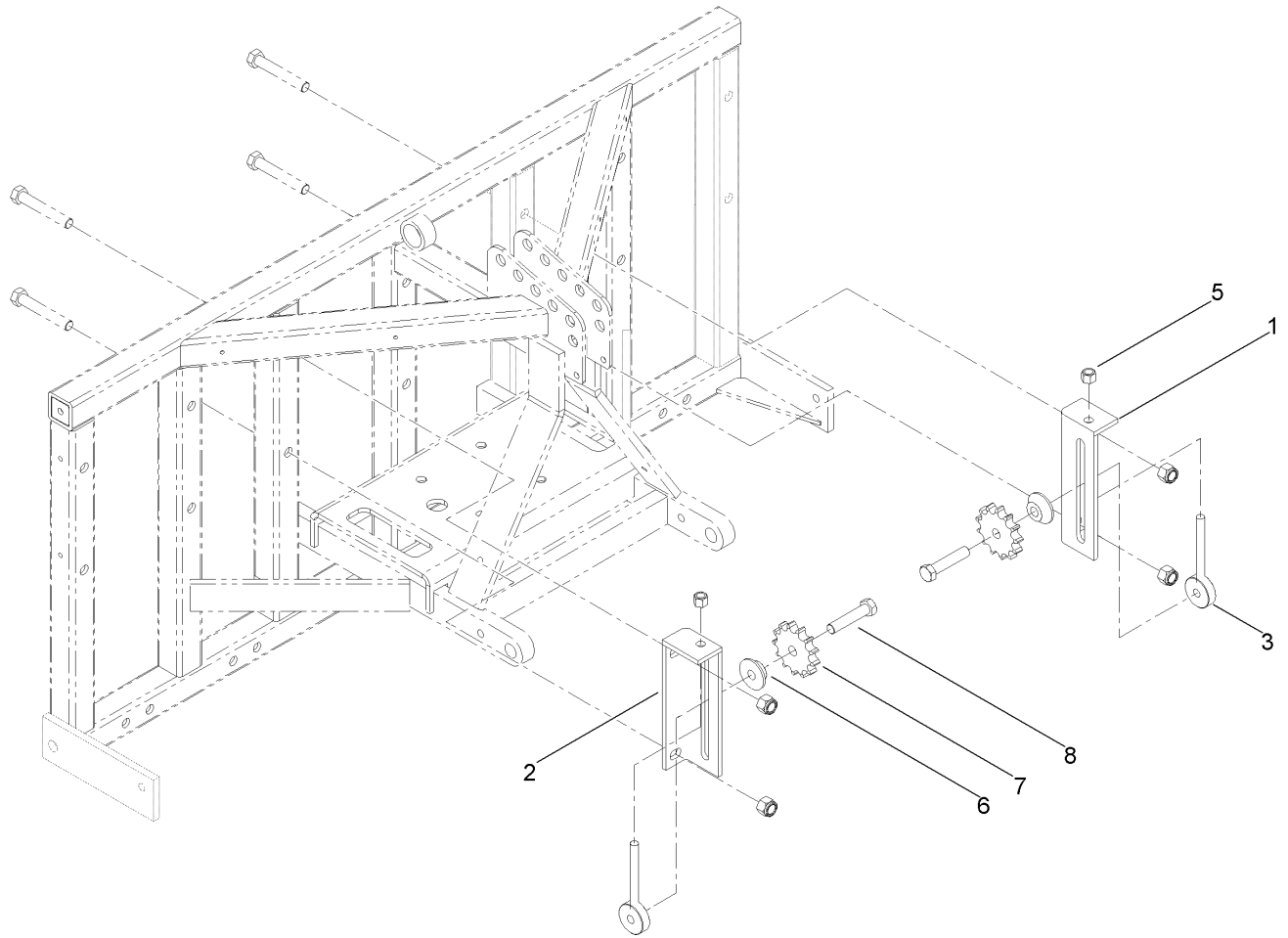
## Center Crankshaft Assembly

Ref	Part No.	Qty.	Description
1	SG204577	3	Bearing ASM
② 1:1		1	Bearing-Ball
1:1:1	99-0195	2	Screw-Set, HSH
1:3	SG427540	2	Ring-Snap
2	105-1041	6	Pin-Spring
3	3296-53	6	Nut-Lock, NI
4	327-14	6	Screw-HH
6	SG267200	8	Nut-Hex
7	SG247540	2	Washer-Clipped
9	SG257054	2	Pin-Crank
10	SG217054	5	Arm-Crank
11	SG217354	3	Crankshaft
16	SG217554	1	Arm-Crank

## RH Crankshaft Assembly

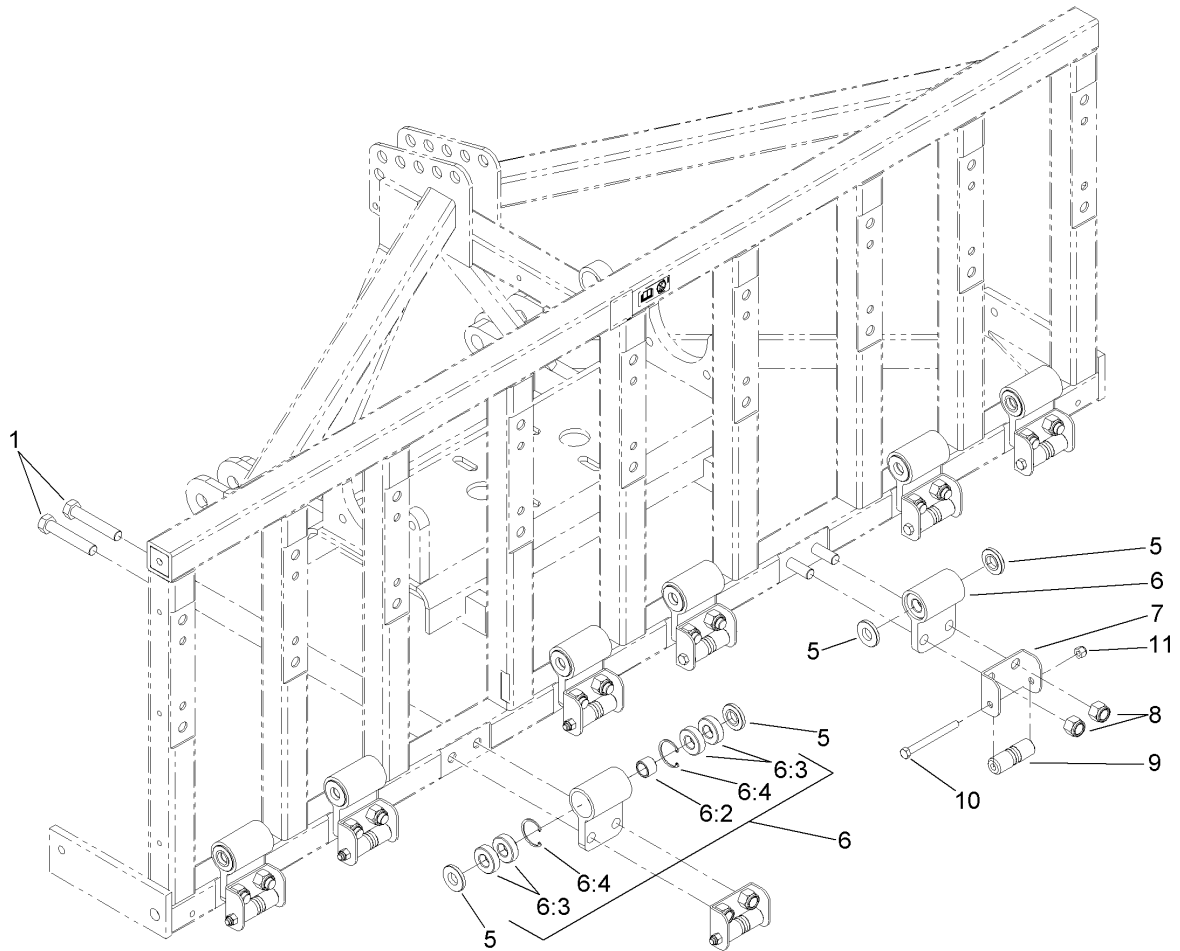
Ref	Part No.	Qty.	Description
1	SG204577	3	Bearing ASM
② 1:1		1	Bearing-Ball
1:1:1	99-0195	2	Screw-Set, HSH
1:3	SG427540	2	Ring-Snap
2	105-1041	6	Pin-Spring
3	3296-53	6	Nut-Lock, NI
4	327-14	4	Screw-HH
5	SG217557	1	Shaft-Stub, Outside
6	SG267200	8	Nut-Hex
7	SG247540	3	Washer-Clipped
8	SG207054	1	Arm-Crank
9	SG257054	3	Pin-Crank
10	SG217054	4	Arm-Crank
11	SG217354	2	Crankshaft
12	SG217026	1	Sprocket-Crank
13	SG267500	4	Spacer
14	3253-7	4	Washer-Lock
15	SG271517	4	Screw-HH
17	327-16	2	Screw-HH

## Idler Assembly

Ref	Part No.	Qty.	Description				
1	SG587054-03	1	Bracket-Idler				
2	SG597054-03	1	Bracket-Idler				
3	SG587202	2	Rod-Idler				
5	3296-23	2	Nut-Lock, NI				
6	SG537500	2	Spacer-Offset				
7	SG517054	2	Sprocket-Idler				
8	327-9	2	Screw-HH				

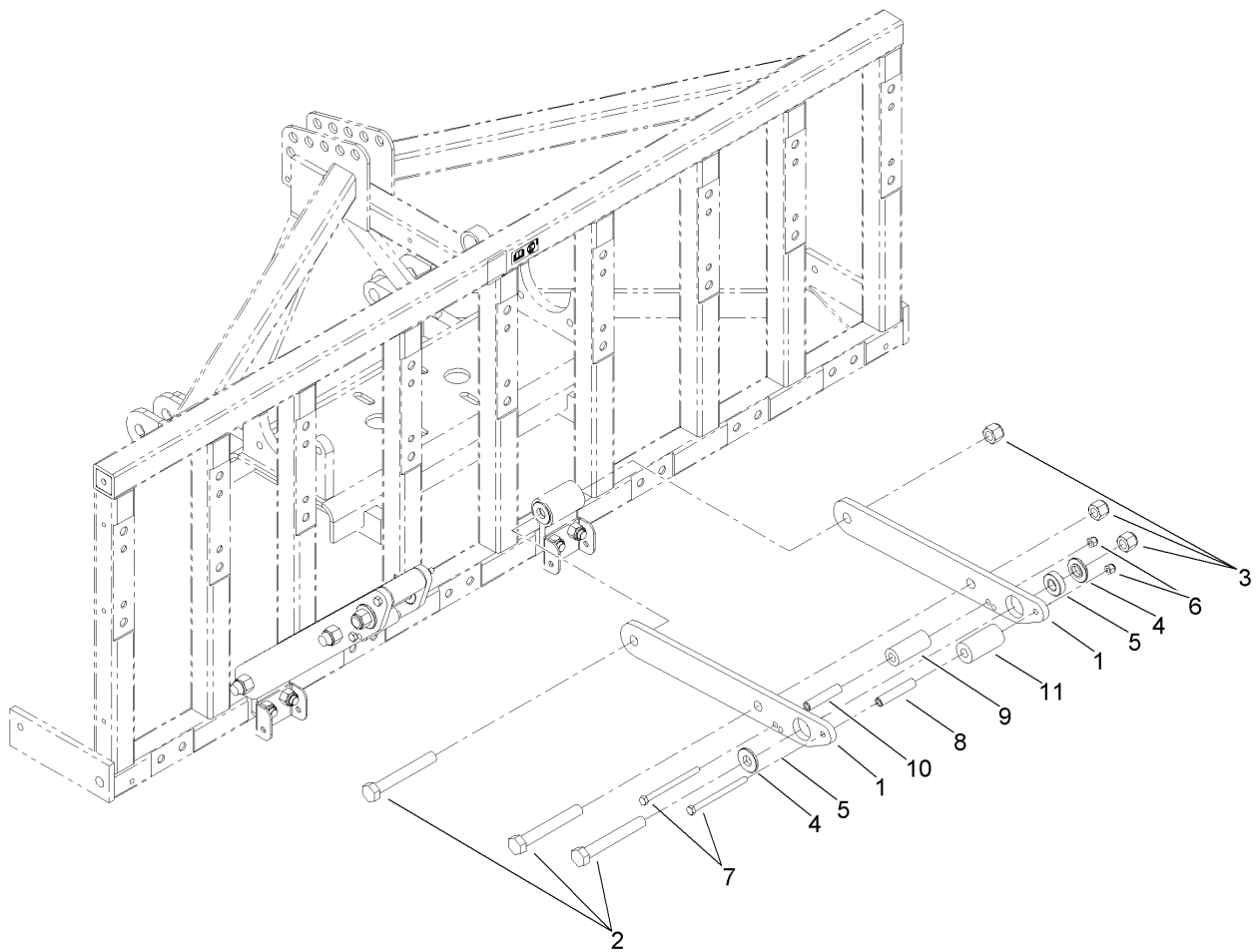




## Hinge and Rear Spool Assembly

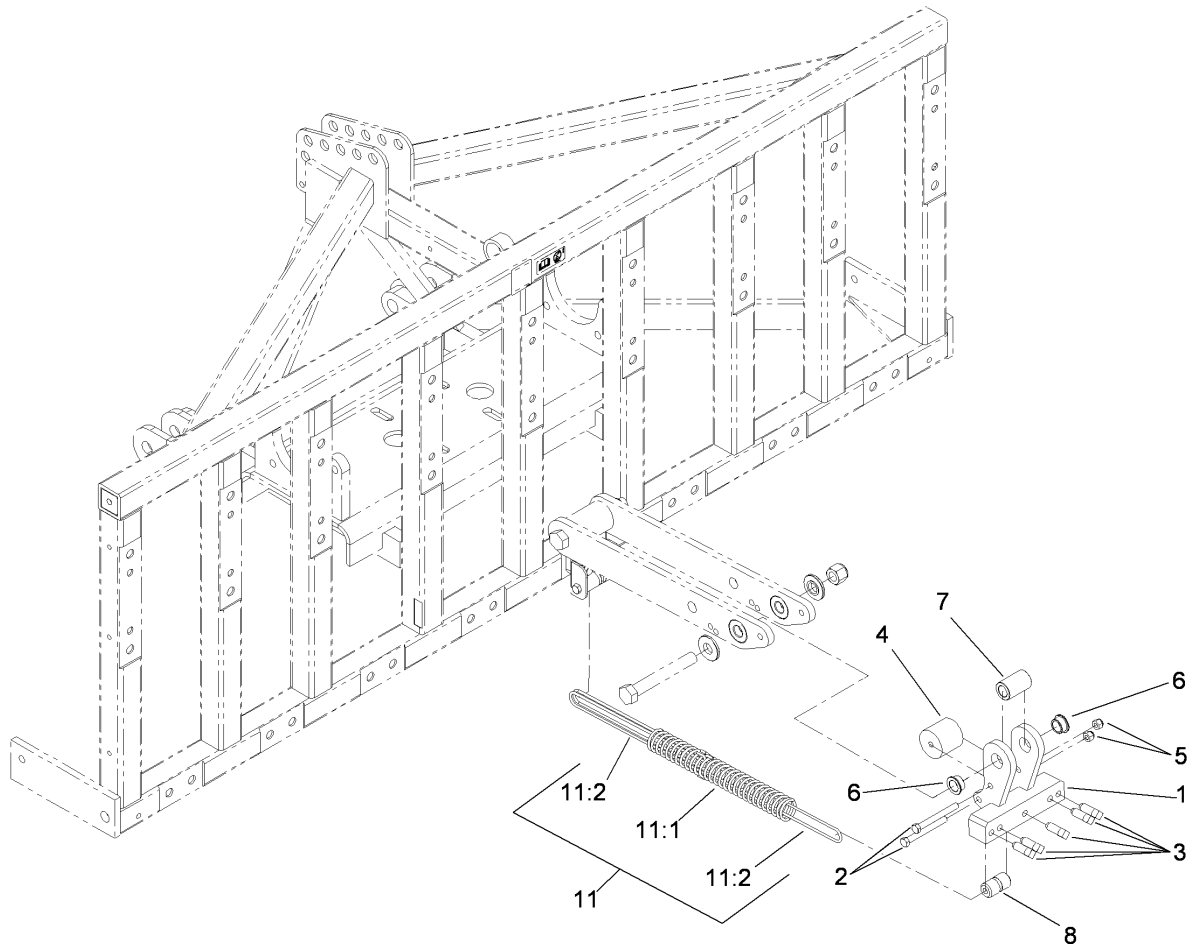
Ref	Part No.	Qty.	Description
1	327-14	16	Screw-HH
5	SG337050	16	Bushing-Outer
6	SG136354	8	Rear Spool ASM
6:2	SG337010	1	Bushing-Inner
6:3	SG337075	4	Bearing-Ball
6:4	SG427625	2	Ring-Retaining, Internal
7	SG487001-03	8	Bracket-Spring, Rear
8	3296-53	16	Nut-Lock, NI
9	SG449125-03	8	Spool-Spring, Rear
10	323-16	8	Screw-HH
11	3296-39	8	Nut-Lock, NI





## Linkage Arm Assembly

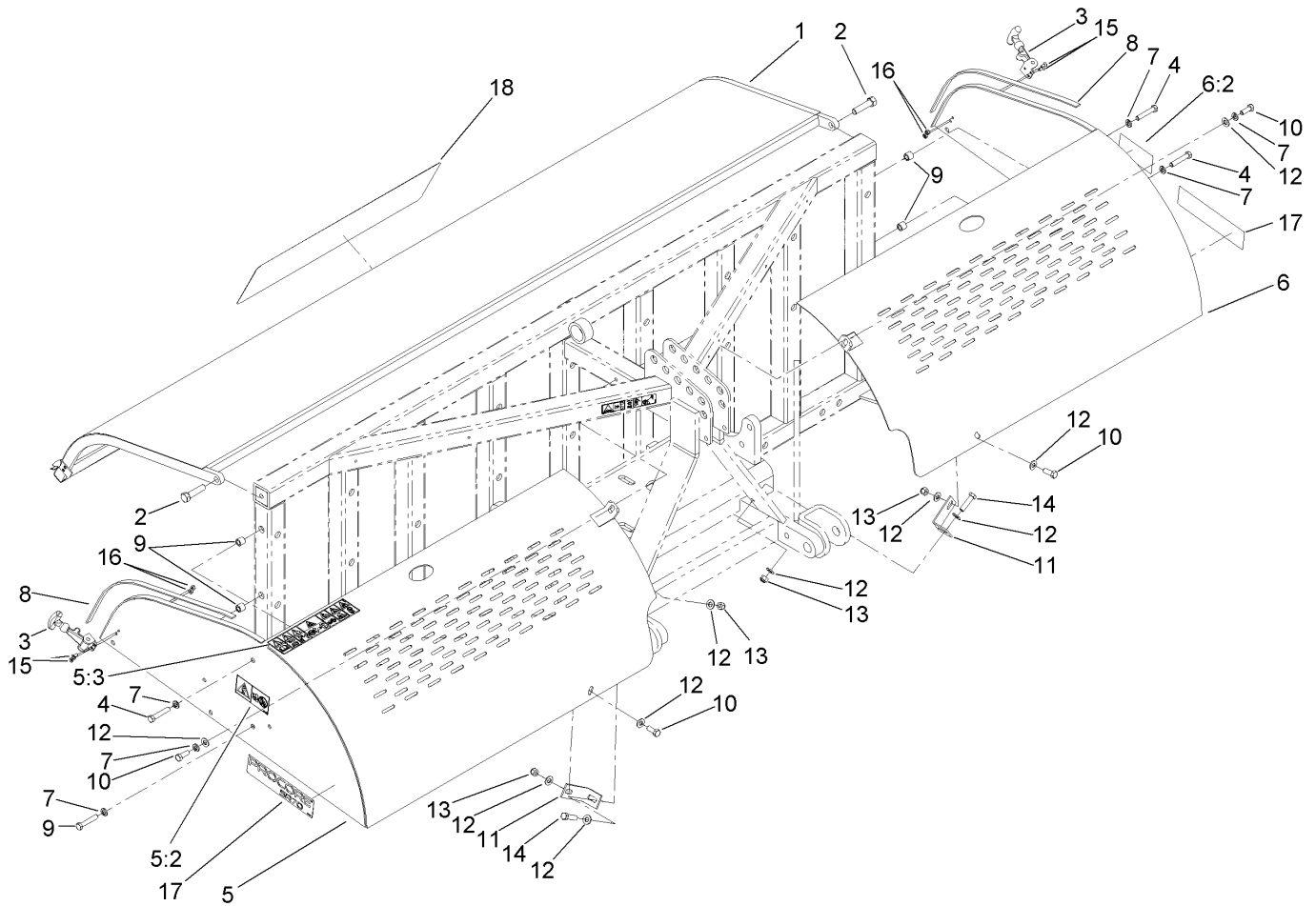
Ref	Part No.	Qty.	Description
1	SG387054-03	16	Arm-Linkage
2	328-12	24	Screw-HH
3	3296-51	24	Nut-Lock, NI
4	SG437125	16	Bushing-Outer
5	SG337075	16	Bearing-Ball
6	3296-39	16	Nut-Lock, NI
7	323-21	16	Screw-HH
8	SG337300	8	Spacer-Linkage
9	SG487125	8	Bumper-Rubber
10	SG486312	8	Spacer-Arm, Linkage
11	SG487126	8	Bumper-Rubber

## Head and Spring Assembly

Ref	Part No.	Qty.	Description
1	SG407054-03	8	Head-Tine
2	323-15	16	Screw-HH
3	SG477125	40	Screw-Set, SQH
4	SG487200	8	Bumper-Head
5	3296-39	16	Nut-Lock, NI
6	SG447080	16	Bushing-Flanged
7	SG437100-03	8	Spacer-Head
8	SG447054-03	8	Spool-Head
② 11		8	3 Wire Spring ASM
11:1	SG481512	1	Spring-Compression
11:2	SG487255	3	Wire-Draw Bar

--	--	--	--



## Screen and Hood Assembly

Ref	Part No.	Qty.	Description
1	SG556070-03	1	Hood-Rear
2	SG271517	2	Screw-HH
3	SG650006	2	Strap-Hood
4	323-10	4	Screw-HH
5	117-7131	1	RH Screen ASM
5:2	117-7051	1	Decal-Danger, Keep Away Ce
5:3	117-7050	1	Decal-Warning, Ce
6	117-7132	1	LH Screen ASM
6:2	117-7051	1	Decal-Danger, Keep Away Ce
7	3253-21	6	Washer-Lock
8	SG483257	2	Strip-Foam
9	SG555052	4	Spacer
10	323-6	4	Screw-HH
11	SG678914-03	2	Clip-Screen
12	3256-24	10	Washer-Flat
13	3296-39	4	Nut-Lock, NI
14	323-8	2	Screw-HH
15	3274-29	4	Screw-HSFH
16	3296-2	4	Nut-Lock, NI
17	117-7085	2	Decal
18	117-7056	1	Decal